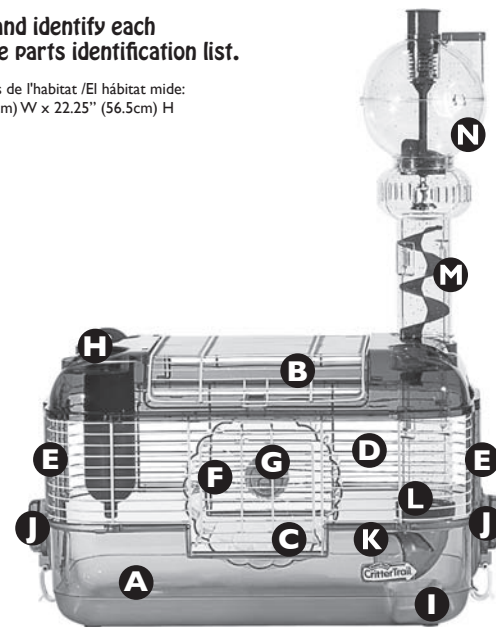


Examine each part and identify each component using the parts identification list.

Habitat Measures/Dimensions de l'habitat /El hábitat mide:
16" (40.6cm) L x 10.5" (26.7cm) W x 22.25" (56.5cm) H



CritterTrail™ Treat Zone Habitat

Parts Identification: Item #100502841

QTY.	KEY	DESCRIPTION	COLOR
1	A	"Scatter-less" Base	Blue
1	B	Roof Top w/ Wire Door	Multi
1	C	Front Wire Panel w/ Door	White
1	D	Back Wire Panel	White
2	E	Side Passageway w/ Clip	Green
1	F	Exercise Wheel	Yellow
1	G	Exercise Wheel Hub	Yellow
1	H	Water Bottle	Blue
1	I	Corner Food Dish	Yellow
2	J	Twist Lock Opening Cap	Green
1	K	Treat Zone Elbow	Blue
1	L	Treat Zone Ring	Blue
1	M	Treat Zone Tube	Clear
1	N	Treat Zone Globe	Clear

Attention: Accessory Access Holes

There are four unused access holes that allow you unlimited expansion of your pet's home with the use of CritterTrail® Add-on accessories.

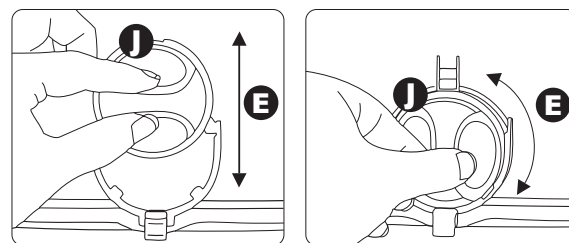
DO NOT punch out the additional access holes until you are ready to expand your pet's home and have already purchased your accessories! Access holes **CANNOT** be closed, once opened.

If you are ready to expand your pet's home, you can remove the Twist Lock Opening Caps (J). To OPEN/CLOSE the Twist Lock Opening Cap (J), simply align the Cap so that the half inch space faces upward. Slide the cap upward to open or downward to close. To secure the Twist Lock Opening Cap (J), turn the half inch space to the right or left.

To add on your accessories on the Side Passageways with Clip (E) simply slide your CritterTrail® Add-on accessory downward into the u-shaped lip on the Side Passageways with Clip (E) until it snaps into place. To remove your CritterTrail® Add-on accessory, push the small locking tab on the Side Passageways with Clip (E) inward. Simultaneously, lift your CritterTrail® Add-on accessory upward while the locking tab is pushed in.

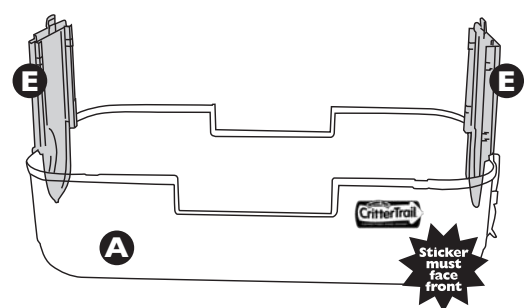
To close an opened access hole on the Rooftop with Wire Door (B), you will need to use a CritterTrail® 10" Fun-nel Tube, #100079222 accompanied with an accessory closure piece, such as a Bubble Plug #100079241 or Lazy Look-out #100079219. Or simply add a second Water Bottle, #100079245 to close the access hole opening.

To close an opened access hole on the Side Passageways with Clip (E), you can use the Twist Lock Opening Cap (J) or a Bubble Plug #100079241. Or you can expand your home by purchasing CritterTrail® Add-on accessories from your local pet store.



STEP 1 Attach Side Passageways to Base

Place the "Scatter-less" Base (A) on a flat surface with the CritterTrail sticker facing forward on the right hand side (See Drawing). Slide the Side Passageways with Clips (E) into the u-shaped openings on the left and right side of the Base. Be sure to line up the grooves and gently press down until both Passageways slide into place. Firmly press down on the bottom side clips to attach the Passageways to the Base.

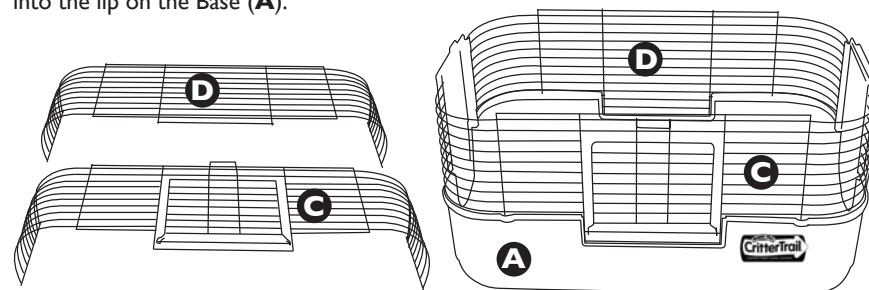


STEP 2 Fill "Scatter-less" Base with Bedding

Fill the "Scatter-less" Base (A) with a liberal amount of bedding material (Not Included).

STEP 3 Insert Wire Panels into "Scatter-less" Base

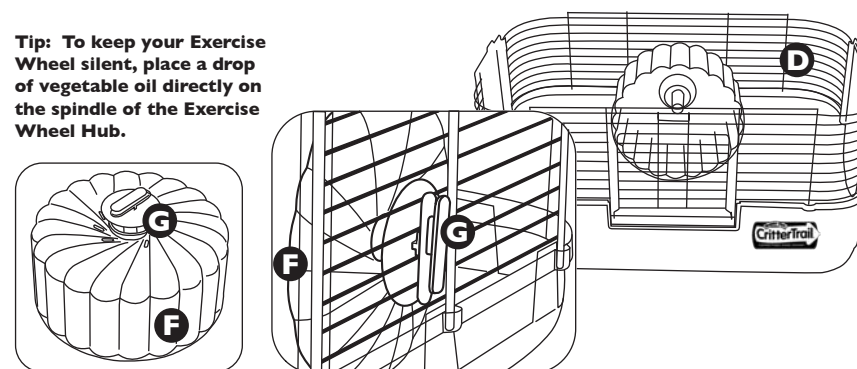
Gently slide the Back Wire Panel (D) through the side grooves located on the back sides of the Passageways. Be sure to press down gently until the Back Wire Panel (D) is secured into the lip on the "Scatter-less" Base (A). Next, gently slide the Front Wire Panel with Door (C) through the side grooves located on the front sides of the Passageways. Again, be sure to press down gently until the Front Panel (C) is secured into the lip on the Base (A).



STEP 4 Exercise Wheel Assembly

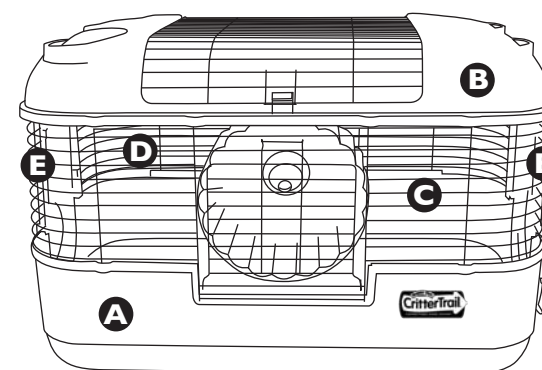
Insert the Exercise Wheel Hub (G) into the center hole of the Exercise Wheel (F). Attach the Exercise Wheel to the center of the Back Wire Panel (D) between the third and fourth bar up from the bottom. Simply press the Exercise Wheel Hub's (G) two horizontal bars all the way through the Back Wire Panel (D). Twist the Hub's two horizontal bars halfway to lock Wheel into place.

Tip: To keep your Exercise Wheel silent, place a drop of vegetable oil directly on the spindle of the Exercise Wheel Hub.



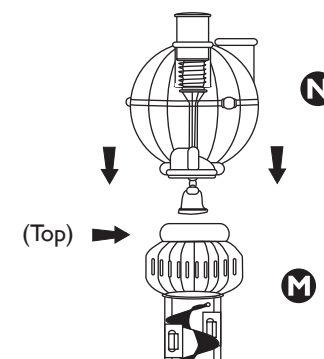
STEP 5 Roof Attachment

Place the Roof Top w/ Wire Door (B) onto the top of the assembled portion of the home. Line up the grooves until the Roof Top w/ Wire Door (B) is aligned over the Wire Panels (C & D) and the Side Passageways (E). Lock the Roof Top (B) by pushing downward until the Side Panels (E) click-lock securely into the Rooftop (B). **DO NOT** punch out the Plastic Disks in the access holes on the Rooftop w/ Wire Door (B) until you are ready to expand your new home.



STEP 6 Treat Zone Assembly

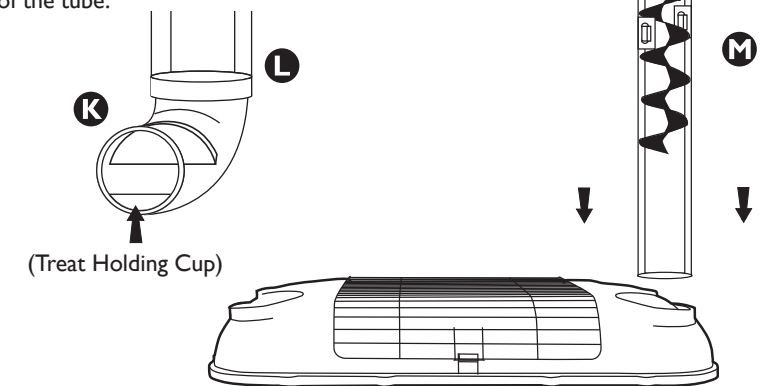
Hold the Treat Zone Globe (N) so that the bell hangs downward. Place the Treat Zone Globe (N) into the top end of the Treat Zone Tube (M). Twist the Treat Zone Globe (N) counter-clockwise to lock.



STEP 7 Attach Treat Zone

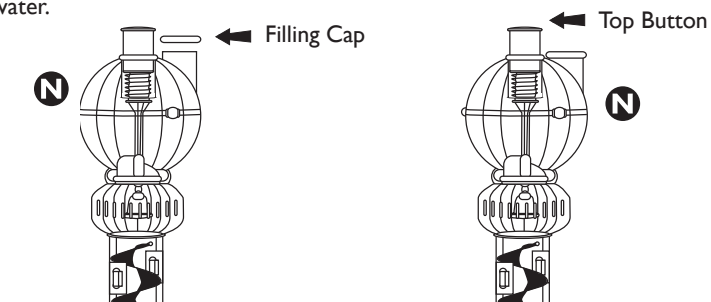
Slide the assembled Treat Zone Globe & Treat Zone Tube (N & M) into the back, right top hole opening.

Attach the Treat Zone Ring (L) onto the bottom of the Treat Zone Tube (M). Connect the Treat Zone Elbow (K) to the Treat Zone Ring (L) by snapping it into place. Make sure the treat holding cup is located at the bottom of the tube.



STEP 8 Filling the Treat Zone Globe & Dispensing Treats

Fill the Treat Zone Globe (N) by pulling open the filling cap. Fill the Treat Zone Globe (N) with round-shaped treats (not included) that measure 0.75" to 1.0" (1.9cm – 2.5cm) in diameter, we recommend KAYTEE®. Pour in the desired amount of treats and replace the filling cap when complete. Always follow the manufacturer's feeding instructions on the treat packaging. Be sure to provide a balanced diet of food, treats and water.



To dispense treats, push down on the top button of the Treat Zone Globe (N). To dispense one to two treats, quickly push and release the top button. To dispense multiple treats, hold down the top button until the desired amount of treats have been released.

STEP 9 Using the Water Bottle and Food Dish

To fill Water Bottle (H), remove the metal cap. Fill Bottle completely by placing it under a light stream of running water. Replace metal cap and turn Water Bottle upside down to allow a vacuum to form. You will experience a few initial drips while the vacuum forms. Hold the Water Bottle over the Water Bottle opening on Roof Top (B), and very gently slide into place. When refilling your Water Bottle, **never squeeze it**. This may cause a fracture in the plastic and make it impossible for the necessary vacuum to form.

Note: Temperature fluctuations and excessive cage vibrations sometimes cause occasional dripping. Whenever you move your CritterTrail® Treat Zone™ Habitat always remove the Water Bottle.